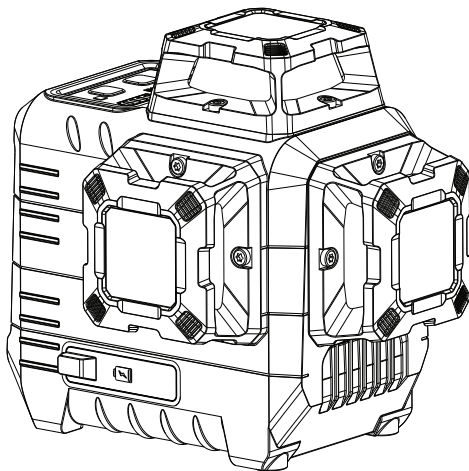


USER MANUAL

LL6205 3D CROSS LINE LASER GREEN



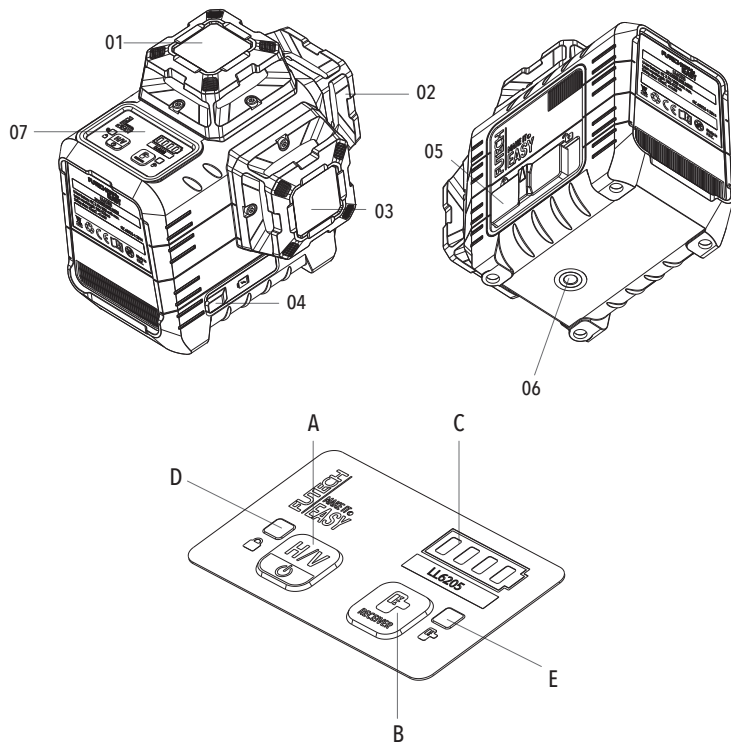
EN ENGLISH

Manual in your
language?

Check the back cover

FUTECH
MAKE IT
EASY

OVERVIEW



■ DEVICE

- 01 Horizontal laser line
- 02 Front vertical laser line
- 03 Side vertical laser line
- 04 USB-C power connector
- 05 Transport security - On/Off switch
- 06 1/4" Threaded mount (to use with a tripod)
- 07 Keypad

■ KEYPAD

- A Horizontal/ vertical Line - Power button
- B Receiver mode button
- C Power indicator
- D Pendulum lock indicator LED
- E Receiver mode indicator LED

SAFETY

Please read the safety instructions provided in the separate booklet provided with the device before using.

NOTE

ALWAYS keep the Transport security - On/Off switch [05] in lock position (left) during transport or storage to protect the pendulum.

While the product is in operation, be careful not to expose your eyes to the emitting laser beam.

Do not disassemble the laser tool. There are no user serviceable parts inside.

Do not modify the laser in any way. Modifying the tool may result in hazardous Laser Radiation Exposure.

Laser radiation: Class 2 laser, do not stare into beam!

BATTERY

This laser device uses a built-in Li-ion battery (see specifications) that can be charged using the USB-C power connector [04]. When charging the battery in the device, the Power indicator [C] flashes green.

When the battery level is below 5% of total capacity, the laser will power off and needs to be charged. The device can be used during charging. It can also be used with the AC-power adapter placed in the USB-C power connector [04], without the battery placed in the device.

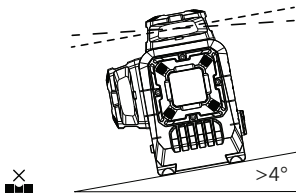
FIRST TIME USAGE

Remove all protection foils.

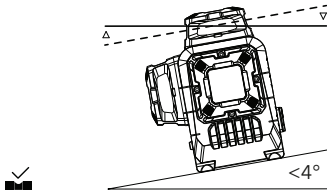
USE

■ SELF-LEVELLING MODE

Slide the transport security - On/off switch [05] to the unlock/ On position (right). The horizontal laser line [01] will light up. The pendulum will be released and the laser will self-level. The Pendulum lock indicator LED [D] is green.



If the laser lines flashes continuously, this means the laser line is not levelled because the position of the laser is out of the levelling range, which is about 4° .

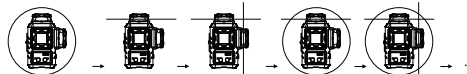


Put the laser on a much flatter place within the 4° levelling range to have a levelled laser line. The laser lines will stop flashing.

Press the horizontal/vertical line - Power button [A] to turn on or off the horizontal or vertical lines.

___ SWITCH ON/OFF LASER LINES:

- Slide the transport security - On/off switch [05] to the unlock/ On position (right). The horizontal laser line [01] will light up.
- Press the horizontal/vertical line - Power button [A] once. The front vertical laser line [02] will light up.
- Press the horizontal/vertical line - Power button [A] a second time. The side vertical laser line [03] will light up. The front vertical laser line [02] stays on.
- Press the horizontal/vertical line - Power button [A] a third time. The horizontal laser line [01] will light up. The front vertical laser line [02] stays on.
- Press the horizontal/vertical line - Power button [A] a fourth time. All laser lines [01] [02] [03] will be on.
- Press the horizontal/vertical line - Power button [A] a fifth time and the device will be turned to the starting position. The horizontal laser line [01] will light up again.



To turn off the laser device, slide the transport security - On/Off switch [05] to the lock position (left). All laser lines will be switched off and the pendulum will be blocked.

■ LOCKED MODE (MANUAL SLOPE)

With the transport security - On/off switch [05] in locked/Off position (left), hold the horizontal/ vertical Line - Power button [A] for about 3 seconds. The horizontal laser line [01] will light up.

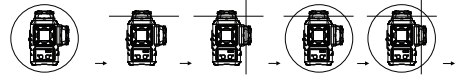
NOTE

The laser lines will flash shortly every 5 seconds to alert you the laser line is not levelled! In this case you can use the laser to set a sloped line. You can tilt the laser level in every direction until the laser shows the sloped lines you need.

— SWITCH ON/OFF LASER LINES:

- With the transport security - On/off switch [05] in locked/Off position (left), hold the horizontal/ vertical Line - Power button [A] for about 3 seconds. The horizontal laser line [01] lights up.
- Press the horizontal/ vertical Line - Power button [A] once. The front vertical laser line [02] will turn on.
- Press the horizontal/ vertical Line - Power button [A] a second time. The side vertical laser line [03] will light up. The front vertical laser line [02] stays on.
- Press the horizontal/ vertical Line - Power button [A] a third time. The horizontal laser line [01] will light up. The front vertical laser line [02] stays on.

- Press the horizontal/ vertical Line - Power button [A] a fourth time. All laser lines [01] [02] [03] will turn on.
- Press the horizontal/ vertical Line - Power button [A] a fifth time and the device will be turned to the starting position. The horizontal laser line [01] will light up again.



To turn off the laser device, press the horizontal/ vertical Line - Power button [A] for about 3 seconds. All laser lines [01] [02] [03] will be switched off and the pendulum will be blocked.

If the laser turns on in manual mode, slide the Transport security - On/Off switch [05] to auto mode, the device changes to auto self-level mode.

■ RECEIVER MODE (PULSE)

In brighter environments or over longer distances you can work with a laser receiver to detect the laser lines. In both modes, self-levelling and locked mode.

- Press the Receiver mode button [B] shortly to activate the receiver mode.

The Receiver mode indicator LED [E] light is on. The receiver mode is turned on. This means the laser lines can now be detected by a laser receiver.

NOTE

The laser lines appear slightly less bright in receiver mode, as they pulse at a frequency of 10 kHz.

- Press the Receiver mode button [B] again to turn off the receiver mode.

The Receiver mode indicator LED [E] light is off. The receiver mode is turned off which means the laser lines can no longer be detected by a laser receiver.

TECHNICAL SPECIFICATIONS

MODEL	LL6205 3D CROSS LINE GREEN
Nr. of horizontal lines	1x360°
Nr. of vertical lines	2x360°
Levelling accuracy	±3mm/10m
Levelling	Pendulum levelling
Levelling range	±4°
Working range (with receiver)	30m
Operating time	1 Laser line: 13h 2 Laser lines: 7h 3 laser lines: 5h
Slope function	Manual (pendulum lock)
Battery	3.7V/ 2000mAh Li-ion
IP-rating	IP54
Operating temperature	-10°C ~ +50°C
Storage temperature	-20°C ~ +55°C
Laser type	520nm (green) Class 2, <1mW



DECLARATION OF CONFORMITY

Futech (Belgium) declares under its own responsibility that this device:

- LL6205 3D CROSS LINE LASER GREEN

is in conformity with the standards:

EMC Directive 2014/30/EU

- EN 55032:2015 + A1:2020 + A11:2020

- EN 55035:2017 + A11:2020

RoHS 2.0 Directive (EU) 2015/863 and (EU)2017/2102 amending Annex II to Directive 2011/65/EU

- IEC 62321-3-1: 2013

- IEC 62321-4:2013 + AMD1:2017

- IEC 62321-5:2013

- IEC 62321-6:2015

- IEC 62321-7-1:2015

- IEC 62321-7-2:2017

- IEC 62321-8:2017

Lier, Belgium,
March 30, 2023
Patrick Waütens

Potential misprints are reserved. Images used are not strict. All features, functionality and other product specifications are subject to change without notice or obligation.

USER MANUAL

other languages:



DA DANSK



DE DEUTSCH



ES ESPAÑOL



ET EESTI KEEL



FI SUOMEN KIELI



FR FRANÇAIS



IS ÍSLENSKA



IT ITALIANO



NL NEDERLANDS



NO NORSK



PT PORTUGUÊS



SL SLOVENŠČINA



SV SVENSKA



Facebook
@futechtools



LinkedIn
futechtools



World Wide Web
futech-easy.com



YouTube
@futechtools